

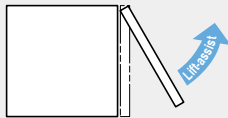


[3 Functions in 1 Stay]

● Lift-assist

Door can be opened with a slight force.

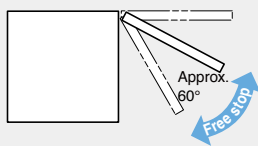
Fig.1



● Free stop

Door can be stopped in any position in the range of about 30° to fully opened position.

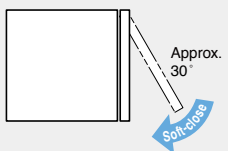
Fig.2



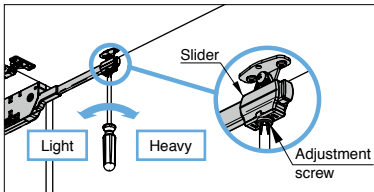
● Soft-close

Door closes slowly in the range of about 0° to 30° even if you release your hands from the door.

Fig.3



[Adjustment of Lift-assisting Force]



- If the door opens and closes improperly, turn the adjustment screw at the bottom of the slider to adjust door movement.

Opening Direction	Description	Non-handed	Maximum Door Moment
Upward-opening	Lift-assist Free stop Soft-down	-	4.60~6.17 N·m/pc (47~63 kgf·cm/pc)

- Short-arm type of easy lift-up stay GS-SLS-ELAN
- Patented Lapcon mechanism controls door opening and closing softly and smoothly.
- Door can be opened with a slight force. (see Fig. 1)
- Door can be stopped in any position in the range of about 30° to fully opened position. (see Fig. 2)
- Door closes slowly in the range of about 0° to 30°. (see Fig. 3)
- Easy installation from the front for both left and right.

[Specifications]

- Operating temperature: 0°C~40°C

[Remarks]

- Be sure to read the "Cautions"
- Handed: Specific left and right-handed.
- Never push down the arm of stay before door installation.
- Do not open the door further in fully opened position.
- Do not roughly open and close the door.

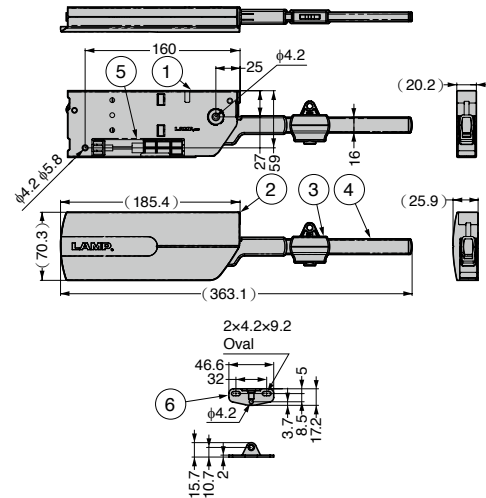
[Parts Included]

- Countersunk head tapping screw 3.5x 35
- Binding head tapping screw 3.5x 15
- Truss head screw M4x 5 (for mounting plate)

[Sold Separately]

- Mounting plate GS-SLS-ELAN-AZ
- Slider (for maintenance)

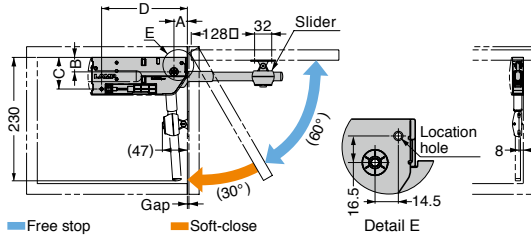
Selection Tool
Sasuga-kun
 Applicable Products
 Used for Product Selection & Simulation.
 Available on Web!



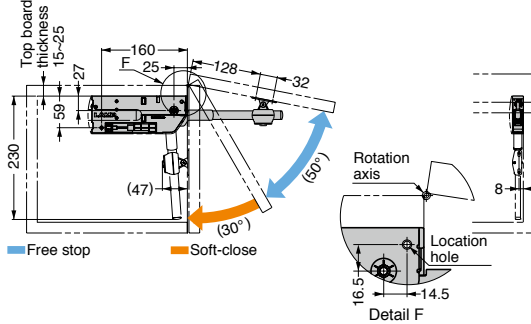
No.	Part Name	Material	Finish/Colour
①	Body	Steel (SECC)	-
②	Body Cover	ABS	Light Grey
③	Adjustment Slider	POM	Dark Grey
④	Tip Arm	Aluminium Alloy	Anodised
⑤	Damper	-	-
⑥	Mounting Plate	Steel (SPCC)	Nickel

[Installation] Right side installation for upward-opening. Left side installation is symmetrical.

With concealed hinge



With single knuckle hinge



- If axis position of single knuckle hinge different from the figure above, please contact local representatives.
- Top board thickness is 15 ~ 25mm. For other thicknesses, please contact local representatives.

[Application Example]



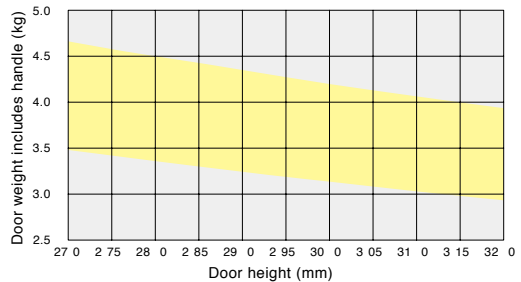
Hinge Type	Bore Distance	A	B	C	D
230-(C)26/19T (19 mm Overlay)	5	25	27	59	160
H230-(C)26/26T (26 mm Overlay)	7				
230-(C)26/9T (9 mm Overlay)	5				
H230-(C)26/16T (16 mm Overlay)	7	37	69		
230-(C)26/0T (Inset)	5	Door Thickness	47	79	A+135
H230-(C)26/0T (Inset)	7	+ 27	53	85	

Table above is the combination with mounting plate 230-P4W-30T or 230-P4W-32T.

If the clearance between cabinet and door is 4mm or more, install the mounting plate according to a dimension obtained by subtracting the clearance from ※ marked dimension (Installation position of the body unit is unchanged.)
 (Example) When the gap between cabinet and door is 5 mm: 128 - 5 (Gap) = 123

If the connection between the body and cabinet is weak due to cabinet material etc., tighten a screw additionally in the location hole shown left. (Additional screws are sold separately)

[Door Size Ranges]



Refer to the above graph as a guide for model selection.
 For a door with size not given here, calculate as follows.
 Door weight includes handle.

- With 1 stay
 Maximum door moment = 4.6~6.17 N · m
 - With 2 stays, the maximum door moment will be doubled.
 Maximum door moment (N · m) = Door weight (kg) × 9.80665 × Distance from rotation centre to door centre of gravity (m)
- ※Confirm the movement with actual item.

[Body]

Item Name	Type	Material	Finish/ Colour	Maximum Door Moment N·m/pc	Maximum Door Moment kgf·cm/pc	Weight (g)
GS-SLS-ELAN-HR-TV-S	Right-handed	Aluminium	Anodised/ Light Grey	4.6~6.17	47~63	590
GS-SLS-ELAN-HL-TV-S	Left-handed	Alloy/ABS	Light Grey			